









Overview Infinity® Panel Systems / Industrial Displays

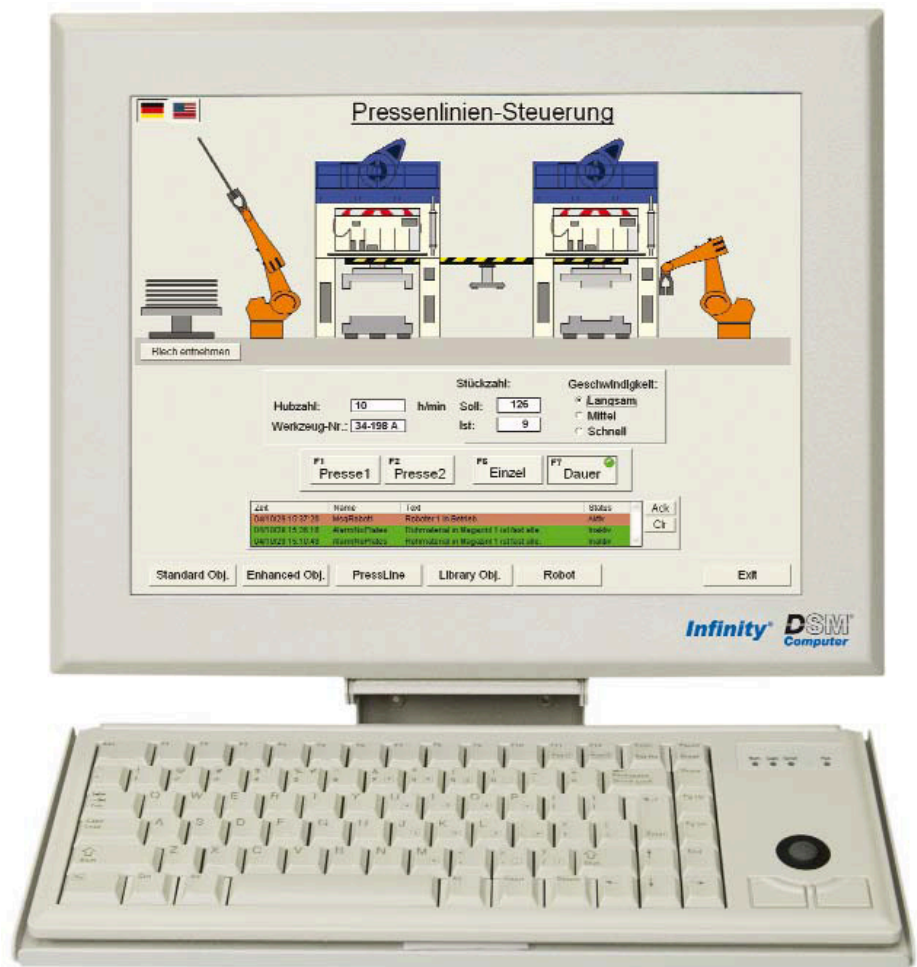
Infinity® Panel Systems

P5 [96M9335]	1* slot (*limited height)	<ul style="list-style-type: none"> • Intel® - Celeron® M 	 FANLESS Optional !  IP65 Front Optional !	Page 60
P4 [96M9331]	2 slots	<ul style="list-style-type: none"> • Intel - Celeron® M - Pentium® M 	 FANLESS Optional !  IP65 Front	Page 62
P3 [96M9315B/17B]	5 slots	<ul style="list-style-type: none"> • Intel® - Core™ 2 Duo - Pentium® 4 / M 	 IP65 Front Optional !	Page 64
P2 [96M9325C]	1 slot	<ul style="list-style-type: none"> • VIA - C7 	 IP65 Front Optional !	Page 66

Infinity® Industrial Displays (without IPC)

D2 [96M9935]	<ul style="list-style-type: none"> • 17" TFT Display, optional Touchscreen • ext. 45 Watt power supply AC • optional 19" assembly • Dimensions (WxDxH): 482 x 52 x 234 mm 	 IP65 Front Optional !	Page 68
D1 [96M9930B]	<ul style="list-style-type: none"> • 15" TFT Display, optional Touchscreen • ext. 45 Watt power supply AC • optional 19" assembly • Dimensions (WxDxH): 482 x 52 x 234 mm 	 IP65 Front Optional !	Page 70

Infinity® P5

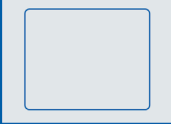


Keyboard tray optional

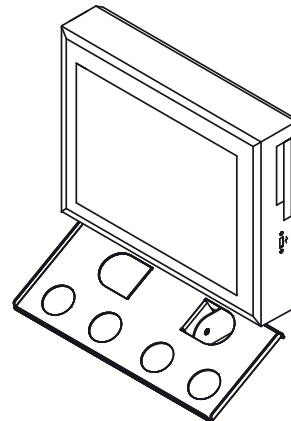
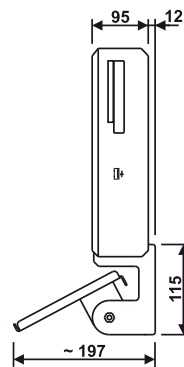
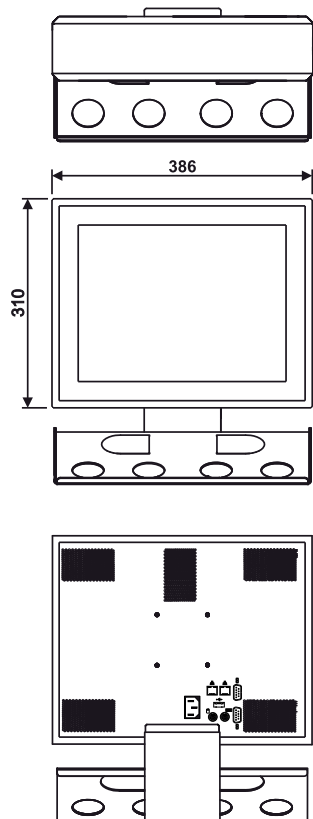
Technical specifications

- TFT**
- 15" color, max. 1024 x 768, 250 cd/m²
 - optional Touchscreen ELO AccuTouch
- CPU**
- Intel® Celeron® M (ULV) 1.0 GHz processor, **Fanless**
- Memory**
- 256 MB DDR RAM equipped, optional up to 1 GB
- Chipset**
- Intel® 82855GME, Front Side Bus 400 MHz
- Graphic**
- Intel® Extreme Graphics 2 VGA
 - 64 MB shared memory, MPEG2 Decoder
- LAN Controller**
- Intel® 82540EM Gigabit Ethernet Controller, 10/100/1000 Base-T/TX, full duplex, RJ45 port
 - Realtek RTL8139C Ethernet Controller, 10/100 Base-T/TX, full duplex, RJ45 port
 - optional Wireless LAN 802.11b/g
- Compact Flash**
- optional Compact Flash socket, type II
- Mini-PCI**
- 1 x Mini-PCI slot (int.), type B, 32-bit, 33 MHz
- Watch-Dog Timer**
- 1 to 255 second/minute timeout interval

- Ports**
- 2 x USB, 2 x LAN, 2 x PS/2, 2 x serial
- Drives**
- Drive bays: 1 x 3.5" and 1 x 5.25" (slimline)
 - inclusive 80 GB 2.5" EIDE quality harddisk (or larger)
 - optional CD/DVD-ROM drive, slimline
 - optional 3.5" floppy disk drive, slimline
- Case**
- solid high-quality industrial case
 - VESA screw thread (75x75)
 - Front panel optional with protection class IP65
 - optional in all RAL and RSC colors available
 - on request also with your corporate logo
- optional keyboard tray**
- Temperature range**
- Storage temperature: -20° ~ 70°C
 - Operating temperature: 0° ~ 40°C
 - Relative humidity: 10% ~ 90%, non-condensing
- Dimensions**
- WxDxH: 386 x 95 x 310 mm
- Power supply**
- 100-240 Volt AC
 - optional 24 Volt DC
- 2 years Warranty, Burn-In CE compliant**



Layout
96M9335



Panel
Systems

Custom configurations on request!



Infinity® P4



Panel Systems

Technical specifications

- TFT**
- 15" color, max. 1024 x 768, 250 cd/m²
 - Touchscreen (resistive)
 - optional 17" TFT
- CPU**
- Intel® Celeron® M (ULV) 1.0 GHz **Fanless**
 - optional: Intel® Pentium® M 1.8 GHz inclusive cooler fan
Intel® Celeron® M 1.5 GHz inclusive cooler fan
- Memory**
- 512 MB DDR RAM equipped, optional up to 1 GB
- Graphic**
- Intel® Extreme Graphics 2 with 64 MB shared memory
max. resolution 1600 x 1200 @ 85 Hz
- LAN**
- Intel® GigaBit LAN, 10/100/1000 Base-T/TX
 - optional dual GigaBit LAN
- Audio**
- Realtek ALC655 Audio Controller, AC'97, 5.1 CH SPDIF and Line-Out
- Compact Flash**
- optional Compact Flash socket, type II
- Drives**
- Drive bays: 1 x 5.25" (slimline)
(shared with one PCI slot) for example for one optional CD/DVD-ROM or writer
 - inclusive 80 GB 2.5" EIDE quality harddisk (or larger)

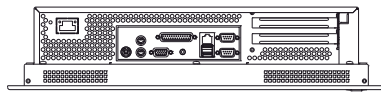
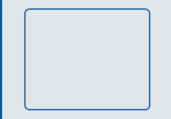
- Ports**
- 2 x serial, 1 x parallel
 - 6 x USB 2.0 (4 x ext., 2 x int.)
 - 1 x LAN, 2 x PS/2, Audio
- Case**
- solid high-quality industrial case
 - VESA screw thread (75x75 and 100x100)
- Front panel**
- 5 mm aluminium with protection class IP65, 2 x USB 2.0
 - powder-coated, RAL 7035
 - on request also with your corporate logo
 - optional in all RAL and RSC colors available
- 2 free PCI slots**
- one slot ist shared with slimline drive
- Temperature range**
- Storage: -20° ~ 70°C
 - Operating: 0° ~ 45°C (optional up to 50°C with cooler fan)
 - Relative humidity: 10% ~ 90%, non-condensing
- Dimensions**
- WxDxH:
483 x 105 x 355 mm (19" rackmount or assembly)
- Power supply**
- 100 Watt power supply (115V ~ 230V AC)
optional 24V DC (18V ~ 36V)
- 2 years Warranty, Burn-In CE compliant**

96M9331-15 Infinity® Panel System P4
 • 15" TFT, 1 x PCI slot, CD/DVD-ROM

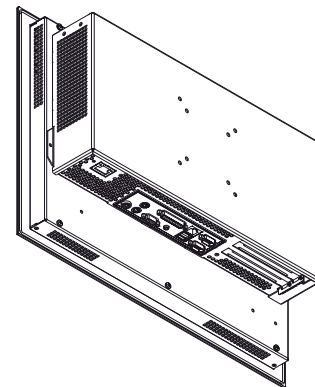
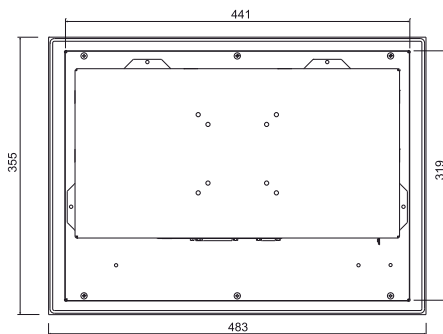
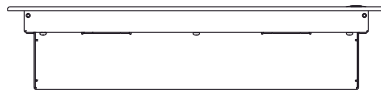
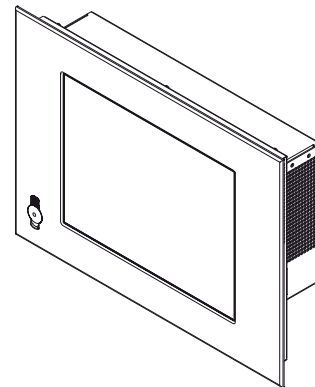
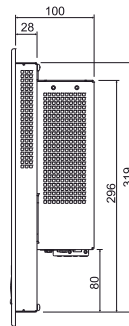
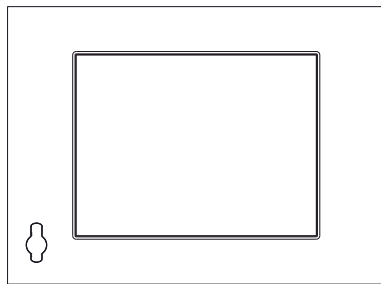
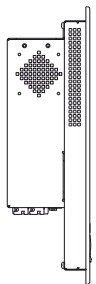
96M9331-17 Infinity® Panel System P4
 • 17" TFT, 1 x PCI slot, CD/DVD-ROM

96M9332-15 Infinity® Panel System P4
 • 15" TFT, 2 x PCI slot

96M9332-17 Infinity® Panel System P4
 • 17" TFT, 2 x PCI slot



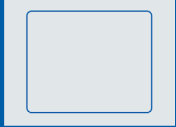
Layout
96M9331/96M9332



Panel Systems

Custom configurations on request!





Infinity® P3

4 free slots !

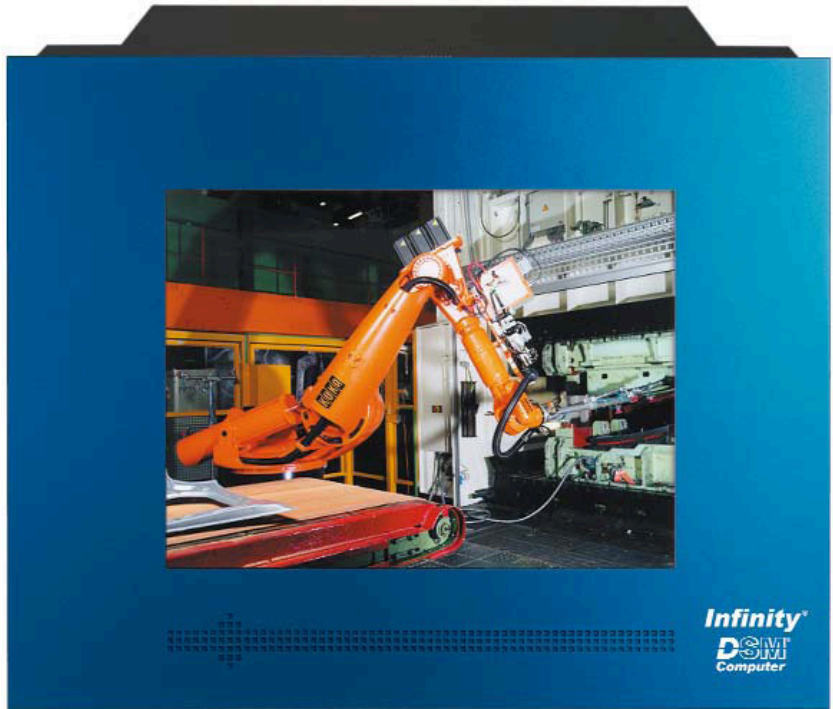


Figure with blue anodized front bezel

Configuration example Intel® Pentium® 4

- 15" TFT (opt. 17"), max. resolution: 1024 x 768, 250 cd/m²
- with DSM SBC and Intel® Pentium® 4 2.4 GHz processor
- 256 MB DDR RAM equipped, optional up to 2 GB
- int. AGP Controller, Intel® 82845G, 64 MB
- int. Intel® 82562 LAN, 10/100 Base-T/TX
- I/O: 2 x serial and 1 x parallel
- Controller for 2 x floppy and 4 x EIDE drives
- 80 GB EIDE quality harddisk (or larger)
- optional CD/DVD-ROM quality drive, slimline
- optional 3.5" floppy disk drive
- 350 Watt power supply (optional 400 Watt)
- 2 years Warranty, Burn-In, CE compliant

Configuration example Intel® Core™ 2 Duo

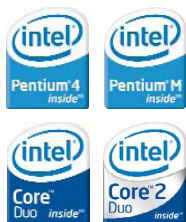
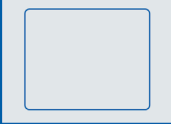
- 15" TFT (opt. 17"), max. resolution: 1024 x 768, 250 cd/m²
- with DSM SBC and Intel® Core™ 2 Duo 2.16 GHz processor
- 1 GB DDR2 RAM equipped, up to 4 GB (max. 3 GB for OS)
- int. Intel® GMA 950 Graphic, PCI Express x16
- Intel® Dual 82573L GigaBit LAN, 10/100/1000 Base-T/TX, PCIe
- I/O: 2 x serial, 1 x parallel, 2 x USB, 1 x PS/2
- 250 GB SATA quality harddisk
- int. Compact Flash socket, 2 x Mini-PCI slot
- optional CD/DVD-ROM quality drive, slimline
- optional 3.5" floppy disk drive
- 400 Watt power supply
- 2 years Warranty, Burn-In, CE compliant

96M9315B DSM Infinity® Panel System P3, 15" TFT color

- max. 1024 x 768, 250 cd/m², optional Touchscreen ELO AccuTouch
- Front bezel: 2 mm sheet steel (optional 4 mm aluminium)
- Dimensions (WxDxH): 482 x 181 x 354 mm (19" rackmount, sheet steel)
494 x 183 x 396 mm (assembly, aluminium)
449 x 183 x 339 mm (flush, stand-alone, aluminium)

96M9317B DSM Infinity® Panel System P3, 17" TFT color

- max. 1280 x 1024, 250 cd/m², optional Touchscreen ELO AccuTouch
- Front bezel: 4 mm aluminium
- Dimensions (WxDxH): 482 x 183 x 354 mm (19" rackmount)
494 x 183 x 396 mm (assembly)
449 x 183 x 339 mm (flush)



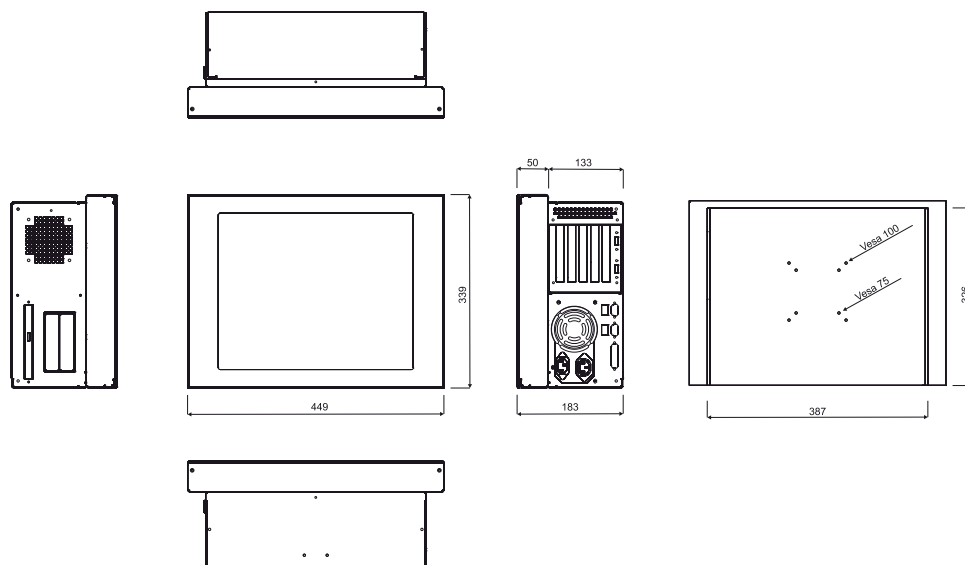
Optional !



Optional !



Layout
96M9315B



Panel
Systems

General description

- solid, high-quality industrial case
- Assembly in 19" rack possible
- **VESA screw thread 75x75 and 100x100**
- Front bezel powder-coated, opt. IP65 at aluminium front
- Front case optionally **in all RAL and NCS colors available**
- on request also **with your corporate logo**
- Drive Bays: 2 x 3.5" and 1 x 5.25" (slimline)
- Storage Temperatures: -20° ~ 70°C
- Operating Temperatures: 0° ~ 50°C
- Relative Humidity: 10% ~ 90%, non-condensing
- 5 slot backplane, PCI/ISA
- still **1 free ISA and 3 free PCI slots**

Custom configurations on request!



Infinity® P2



Panel Systems

Technical specifications

TFT

- 15" color, max. 1024 x 768, 250 cd/m²
- optional Touchscreen ELO AccuTouch

CPU

- VIA C7 1.5 GHz processor and cooler fan

Memory

- 256 MB DDR RAM equipped, optional up to 1 GB

VGA

- int. VIA UniChrome Pro AGP VGA/LCD Controller

LAN

- Dual Realtek 8110SB GigaBit LAN Controller, 10/100/1000 Base-T/TX, full duplex, 2 x RJ45 port

Audio

- VIA VT1616 Audio Controller, AC'97 Codec 2.1

Compact Flash

- int. Compact Flash socket

Watchdog Timer

- 1 to 155 second/minute timeout interval

Ports

- 4 x serial, 1 x parallel, 2 x LAN, 1 x PS/2
- 4 x USB 2.0 (2 x ext., 2 x int.), Audio

optional 1 free PCI slot for half-size cards

300 Watt power supply

Case

- solid high-quality industrial case
- Assembly in 19" rack possible
- in all RAL and RSC colors available

Drives

- Drive bays: 1 x 5.25" (slimline)
- inclusive 80 GB 3.5" SATA quality harddisk (or longer, respectively 2.5")
- optional CD/DVD-ROM drive, slimline
- optional floppy via USB 2.0 ext. possible

Front bezel

- 2 mm sheet steel (optional 4 mm aluminium)
- powder-coated, RAL 7035
- on request also with your corporate logo
- optional IP65 (only aluminium front)

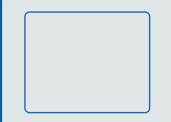
Temperature range

- Storage: -20° ~ 70°C
- Operating: 0° ~ 50°C (CPU requires cooler fan)
- Relative humidity: 10% ~ 90%, non-condensing

Dimensions

- WxDxH: 482 x 102 x 354 mm (sheet steel front)
- 494 x 104 x 396 mm (aluminium front)

2 years Warranty, Burn-In, CE compliant



Optional !

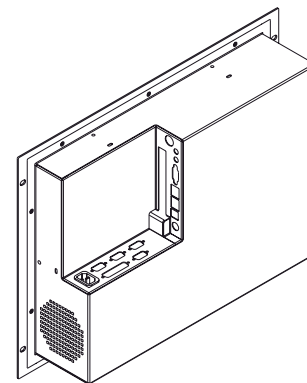
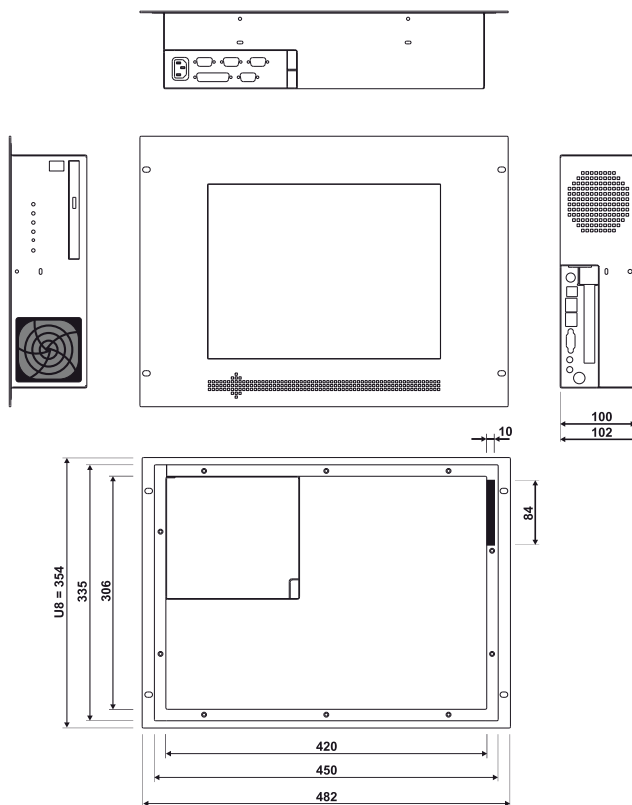


Ports



Drives

Layout
96M9325C



Panel
Systems

Custom configurations on request!



Infinity® D2



[without IPC]

Technical specifications

TFT

- 17" color; optional Touchscreen (ELO Accu Touch via serial, optional USB)
- Resolution: max. 1280 x 1024, 250 cd/m²
- Frequency: 30 - 61 KHz horizontal, 55 - 76 Hz vertical
- Display dimensions: HxV: 337.9 x 270.3 mm
- Pixel pitch: WxH: 0.264 x 0.264 mm
- Contrast ratio: 450:1
- Response time: 16 msec.
- Viewing angle: horizontal 80°, vertical 70°
- Input voltage range: +8 ~ +14 VDC

Miscellaneous

- High brightness with 4-CCFL backlight lamps
- Standard analog interface
- DDC version 2 and VESA DPMS compatible
- On Screen Display
- Power management

Power consumption

- +8V / 3.0A (max.) at 1280x1024@75Hz
- +12V / 2.5A (max.) at 1280x1024@75Hz
- +14V / 2.0A (max.) at 1280x1024@75Hz

Power supply

- ext. 45 Watt power supply, 100~240 VAC

Temperature range

- Storage: -20° ~ 70°
- Operating: 0° ~ 50°C
- Relative humidity: 10% ~ 90%, non-condensing

Case

- solid high-quality industrial case
- Aluminium, 2 mm thickness
- VESA screw thread (75x75 and 100x100)
- optionally assembly in 19" rack

Front bezel

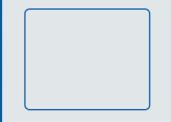
- 4 mm aluminium
- optionally with protection class IP65 (only assembly and stand-alone)
- powder-coated
- in all RAL and RSC colors available
- on request also with your corporate logo

Dimensions

- WxDxH:
 - 482 x 54 x 354 mm (19" rackmount)
 - 494 x 54 x 396 mm (assembly)
 - 449 x 54 x 339 mm (flush front, stand-alone)

2 years Warranty

Burn-In, CE compliant



IP65
Front
Optional !

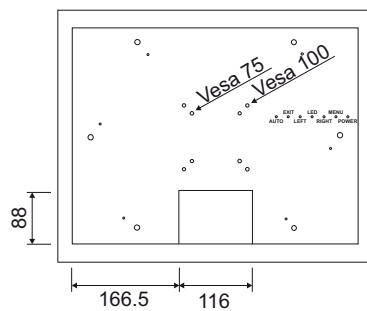
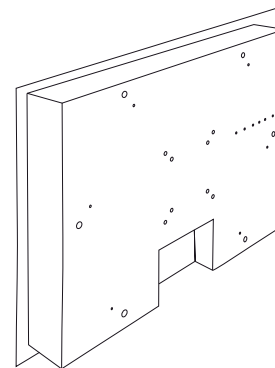
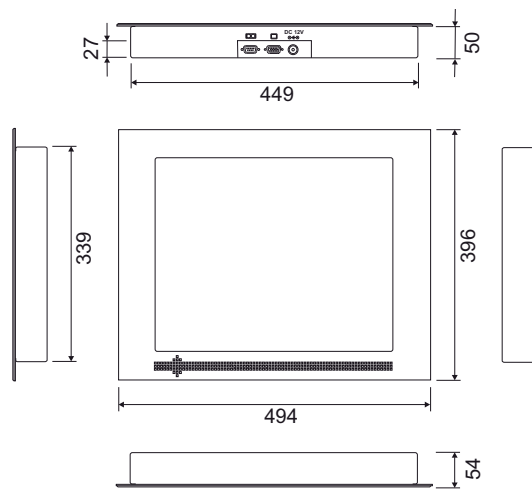


19" assembly



stand-alone
(VESA swing arm optional)

Layout
96M9935



Panel
Systems

Custom configurations on request!



Infinity® D1



[without IPC]

Technical specifications

TFT

- 15" color; optional Touchscreen (ELO AccuTouch via serial, optional USB)
- Resolution: max. 1024 x 768 75 Hz, 250 cd/m²
- Frequency: 30 - 61 KHz horizontal, 55 - 76 Hz vertical
- Display dimensions: HxV: 304.1 x 228.1 mm
- Pixel pitch: WxH: 0.297 x 0.297 mm
- Kontrast ratio: 300:1
- Response time: 20 msec.
- Viewing angle: horizontal 65°, vertical 50°
- Input voltage range: +10 ~ +15 VDC

Miscellaneous

- High brightness with 4-CCFL backlight lamps
- Standard RGB analog interface
- DDC version 2 and VESA DPMS compatible
- On screen display
- Power management

Case

- solid high-quality industrial case
- aluminium, 2 mm thickness
- VESA screw thread (75x75 and 100x100)
- optionally assembly in 19" rack

Power supply

- ext. 45 Watt power supply, 100~240 VAC

Power consumption

- +10V / 3.0A (max.) at 1024x768@60Hz
- +12V / 2.5A (max.) at 1024x768@60Hz
- +15V / 2.0A (max.) at 1024x768@60Hz

Temperature range

- Storage: -20° ~ 70°
- Operating: 0° ~ 50°C
- Relative humidity: 10% ~ 90%, non-condensing

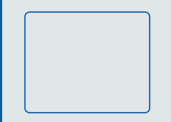
Front bezel

- 2 mm sheet steel (only assembly)
- optional 4 mm aluminium (assembly and stand-alone)
- optionally 4 mm aluminium with protection class IP65 (only assembly)
- powder-coated
- in all RAL and RSC colors available
- on request also with your corporate logo

Dimensions

- WxDxH:
 482 x 52 x 352 mm (sheet steel, assembly/19" assembly)
 494 x 54 x 396 mm (aluminium front, assembly)
 449 x 54 x 339 mm (flush aluminium front, stand-alone)

2 years Warranty, Burn-In CE compliant



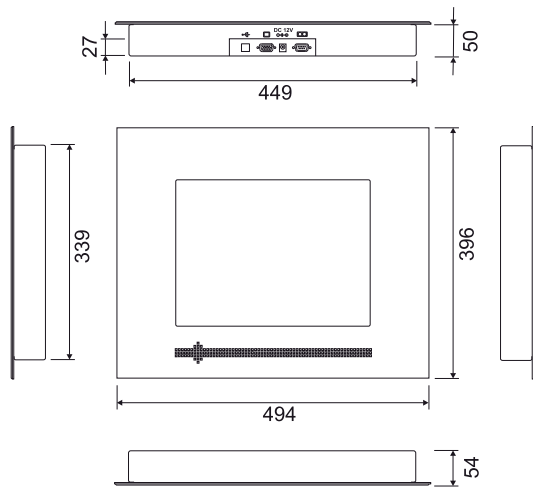
IP65
Front
Optional !



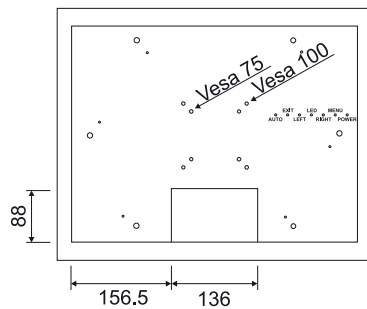
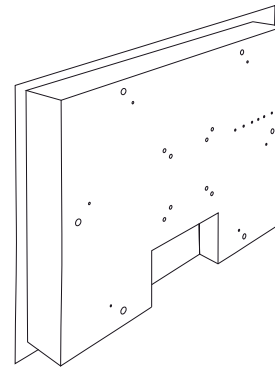
19" assembly



stand-alone
(VESA swing arm optional)



Layout
96M9930B



Panel
Systems

Custom configurations on request!

