



## Overview Galaxy® Control Cabinet PC

NEW

### Galaxy® G6



- Slots: 4 x PCI or  
3 x PCI and 1 x PCI Express x1
- 1 x 3.5" drive bay alternatively for:
  - Floppy disk drive
  - 1 x 3.5" HDD (EIDE or SATA 150)
  - 2 x 2.5" HDD (EIDE or SATA 150)
  - 1 x Compact Flash
- int. 180 Watt power supply AC
- Operating temperatures: 0° - 50° C
- Dimensions (WxDxH): 149 x 260 x 280 mm
  
- Intel®
  - Core™ Duo
  - Core™ 2 Duo
  - Celeron® M

Page  
**36**

Control  
Cabinet PC

NEW

### Galaxy® G1



- Slots: 4 x PCI
- 1 x 3.5" drive bay alternatively for:
  - Floppy disk drive
  - 1 x 3.5" HDD (EIDE or SATA 150)
  - 2 x 2.5" HDD (EIDE or SATA 150)
  - 1 x Compact Flash
- int. 180 Watt power supply AC
- Operating temperatures: 0° - 50° C
- Dimensions (WxDxH): 149 x 260 x 280 mm
  
- VIA
  - C7

Page  
**38**



## Galaxy® G6

# NEW



**4 x PCI or  
3 x PCI, 1 x PCIe x1**

Control  
Cabinet PC

### Technical specifications

#### Embedded Controller

- up to 4 GB DDR2 RAM (max. 3 GB for operating system), 667 MHz, 0 MB equipped
- Intel® 82945GM chipset
- 1 x 10/100 Base-TX LAN, Intel® ICH-7M
- 1 x 1000 Base-T LAN, Marvell 88E8053 PCI Express
- optional Wireless LAN 802.11b/g
- Intel® GMA 950 VGA, with 224 MB shared memory, max. resolution 2048 x 1536 @ 75 Hz, S-VIDEO and Composite TV-Out
- Audio Controller, AC'97, S/PDIF and Line-Out
- Serial ATA for 2 SATA 150 drives
- Controller with one IDE port (2 x EIDE drives)
- optional Disk-on-Module or Compact Flash
- IEEE 1394 TI TSB43LV22 1 port FireWire
- 6 x USB 2.0, PS/2 port (2x), 2 x COM
- 1 x Mini-PCI slot (int.), type IIIA

**4 x PCI or 3 x PCI and 1 x PCI Express x1  
Expansion slot for half-size card**

#### 1 x 3.5" drive bay alternatively for:

- Floppy disk drive
- 1 x 3.5" HDD (EIDE or SATA 150)
- 2 x 2.5" HDD (EIDE or SATA 150)
- 1 x Compact Flash

#### solid high-quality industrial case

- Case in all RAL and NCS colors available
- on request also with your corporate logo
- inclusive two 8 cm system cooler fans, temperature controlled
- inclusive mounting rails
- Control LEDs
- Power supply:
  - int. 180 Watt power supply, 100-240 Volt AC
  - optional 24 Volt DC, 200 Watt
- Dimensions WxDxH: 149 x 260 x 280 mm

**2 years Warranty  
Burn-In  
CE compliant**

96M1658

#### DSM "Galaxy® G6"

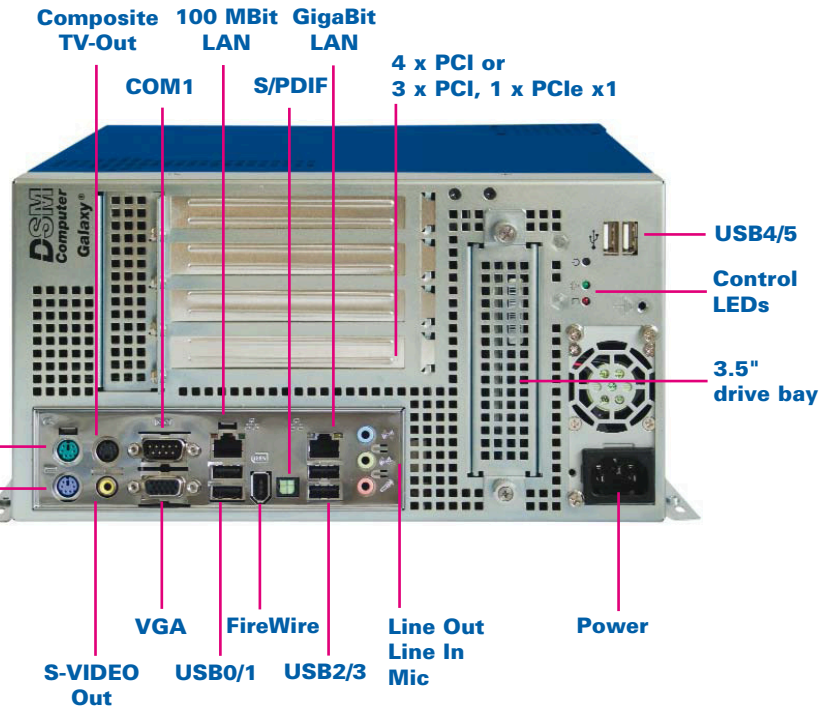
- Intel® Core™ 2 Duo T7400 2.16 with cooler fan (optional Intel® Core™ Duo T2500, 2.0 GHz)
- **Operating temperatures: 0° - +50°C**

Custom configurations on request!



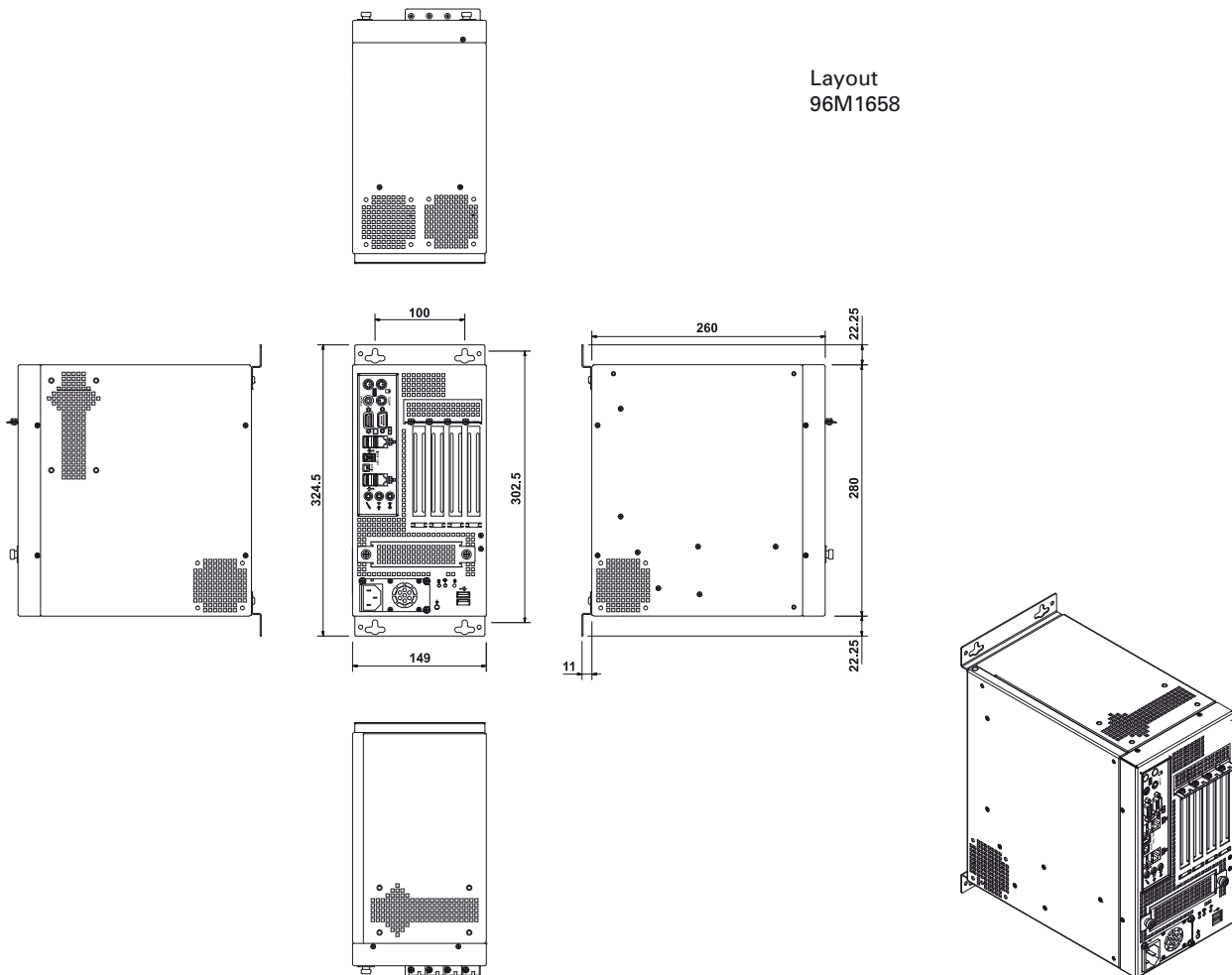


# Galaxy® Control Cabinet PC



Control Cabinet PC

Layout 96M1658





# Galaxy® Control Cabinet PC

## Galaxy® G1

# NEW



4 x PCI

Control Cabinet PC

### Technical specifications

#### Embedded Controller

- up to 1 GB DDR2 RAM, 533 MHz, 0 MB equipped
- VIA CN700 chipset
- VIA 2D/3D VGA Controller, 64 MB shared memory, MPEG2-Decoder, S-VIDEO and Composite TV-Out
- single LAN VIA VT6103, 10/100 Base-TX
- VIA Audio Controller, AC'97
- Controller with 2 IDE ports (4 x EIDE drives)
- Serial ATA for 2 SATA 150 drives
- optional Disk-on-Module or Compact Flash
- one serial port, PS/2 port (2x)
- 6 x USB 2.0

#### 1 x 3.5" drive bay alternatively for:

- Floppy disk drive
- 1 x 3.5" HDD (EIDE or SATA 150)
- 2 x 2.5" HDD (EIDE or SATA 150)
- 1 x Compact Flash

#### 4 x PCI expansion slots for half-size cards

#### solid high-quality industrial case

- Case in all RAL and NCS colors available
- on request also with your corporate logo
- inclusive two 8 cm system cooler fans, temperature controlled
- inclusive mounting rails
- Control LEDs
- Power supply:
  - int. 180 Watt power supply, 100-240 Volt AC
  - optional 24 Volt DC, 200 Watt
- Dimensions WxDxH: 149 x 260 x 280 mm

#### 2 years Warranty

#### Burn-In

#### CE compliant

96M1642F

#### DSM "Galaxy® G1"

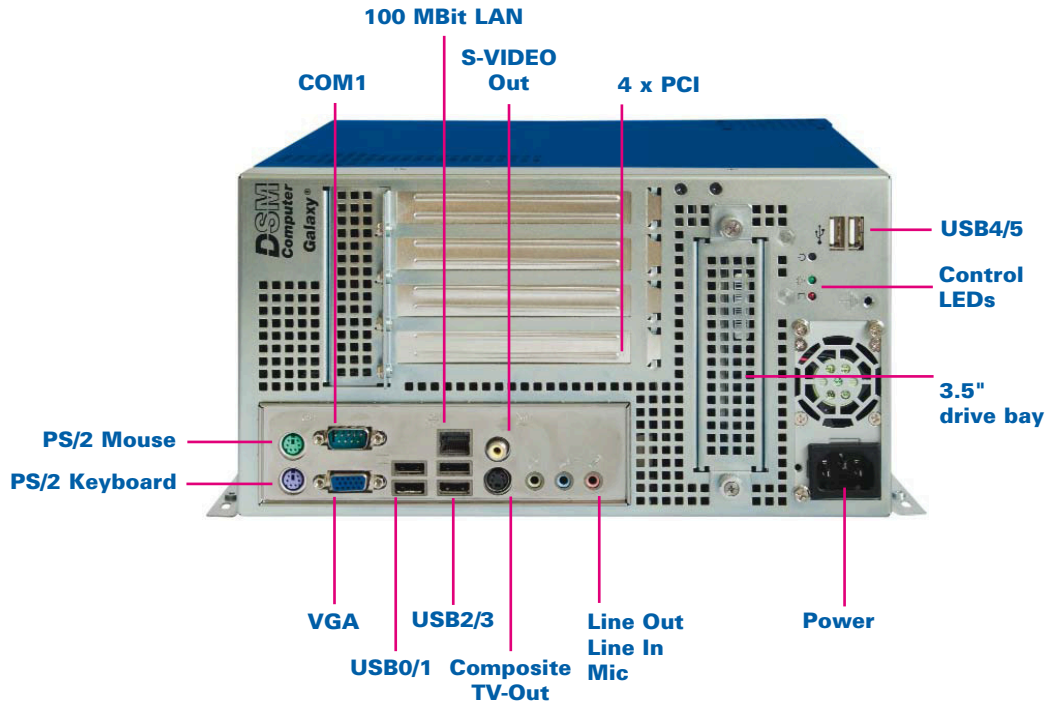
- VIA C7 1.0 GHz processor, without cooler fan
- **Operating temperatures: 0° - +50°C**

## Custom configurations on request!





# Galaxy® Control Cabinet PC



Control Cabinet PC

Layout 96M1642F

